



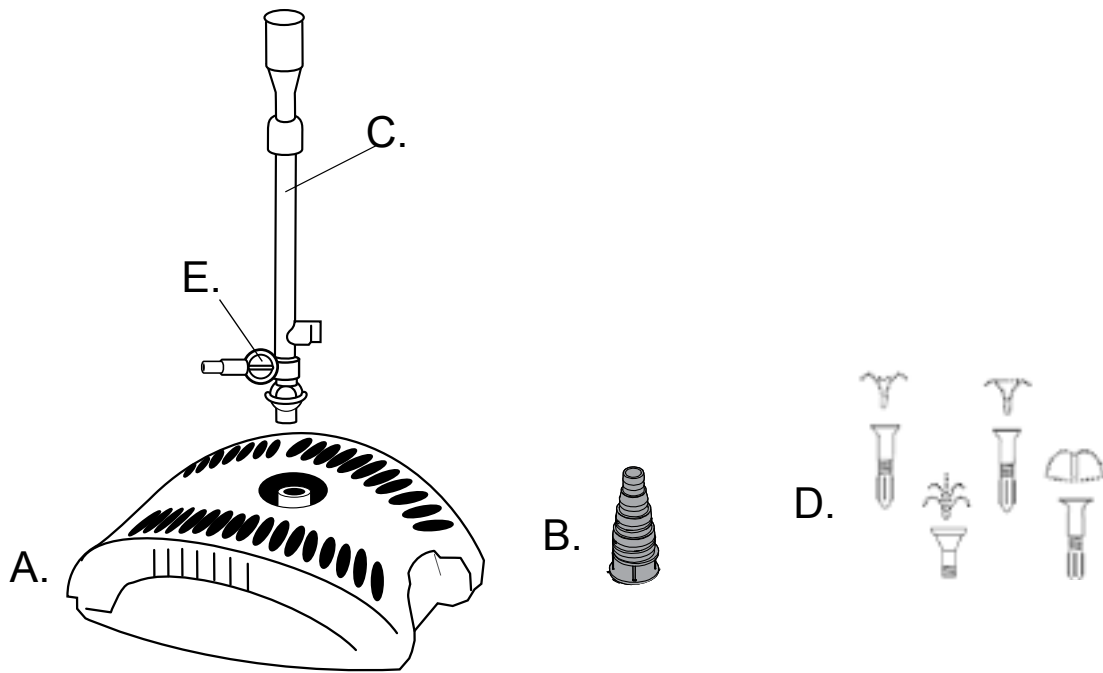
## **Complete Filter Kit *1300***

**Operating instructions**  
**Notice d'emploi**  
**Instrucciones de uso**



**REMINDER**  
CALL 1-866-627-3435  
BEFORE RETURNING TO STORE.

Part	Description	QTY
A	Filter housing	1
B	stepped hose adapter with O ring	1
C	Nozzle tube with flow control	1
D	fountain nozzles	4
E	Diverter valve	1




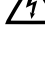

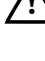


**Information about these operating instructions**

Welcome to OASE Living Water. You made a great choice with the purchase of this product **Complete Filter Kit 1300**. Prior to operating the unit, please read the instructions of use carefully and fully familiarise yourself with the unit. Ensure that all work on and with this unit is only carried out in accordance with these instructions. Please strictly follow the enclosed instructions to ensure safe and correct handling of the product. Keep these instructions in a safe place. Please also hand over the instructions when passing the unit on to a new owner.

## **WARNINGS AND CAUTIONS SYMBOLS**

### **Symbols used in these instructions**

The symbols used in this operating manual have the following meanings:

-  Risk of injury to persons due to dangerous electrical voltage.  
 This symbol indicates an imminent danger, which can lead to death or severe injuries if the appropriate measures are not taken.
  
-  Risk of personal injury caused by a general source of danger.  
 This symbol indicates an imminent danger, which can lead to death or severe injuries if the appropriate measures are not taken.
  
-  Important! The unit is equipped with a permanent magnet. The magnetic field may affect the function of pacemakers.
  
-  Important information for trouble-free operation.

### **Intended use**

Complete Filter Kit 1300, referred to in the following as “unit”, may only be used as specified in the following:

- For cleaning garden ponds.
- For operation with clean water.
- Operation under observance of the technical data.

The following restrictions apply to the unit:

- Do not use in swimming pools.
- Never use the unit to convey fluids other than water.
- Never run the unit without water.
- Do not use for commercial or industrial purposes.
- Do not use in conjunction with chemicals, foodstuff, easily flammable or explosive substances.

### **Use other than that intended**

This unit can be dangerous and cause harm if not used in accordance with these instructions. Any use not in accordance with these instructions or modification(s) to the unit will void the limited warranty.

### **Questions, problems, missing parts?**

Before returning to your retailer, call us at 1-866-627-3435, 8 a.m.-6 p.m., EST, Monday-Friday, or email us at [customer@oase-livingwater.com](mailto:customer@oase-livingwater.com). Or visit our website at [www.oase-livingwater.com](http://www.oase-livingwater.com)

## Installation

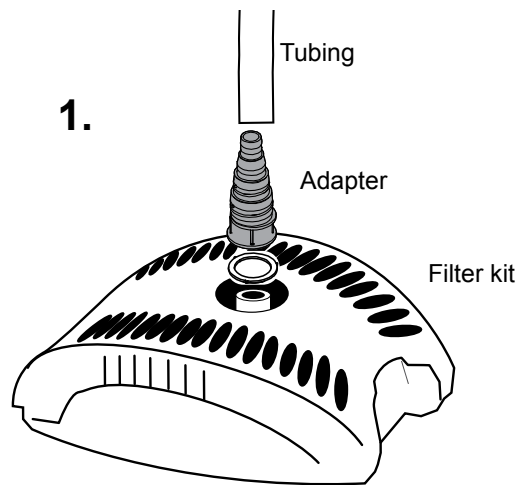
### Important:

- The unit can be used with the following:
  - With the stepped hose adapter for feeding a small waterfall or water feature.
  - With the nozzle set to create various fountain displays.
  - With the diverter valve, allowing an additional water feature to be operated simultaneously with the fountain nozzle.
- It is recommended to place the unit horizontally on the ground ensuring its stable position.
- Do not lift the unit by its power cord.
- The unit's filter foam, biomedica, pebbles and pump are preinstalled in the filter housing.

### For installation using the stepped hose adapter

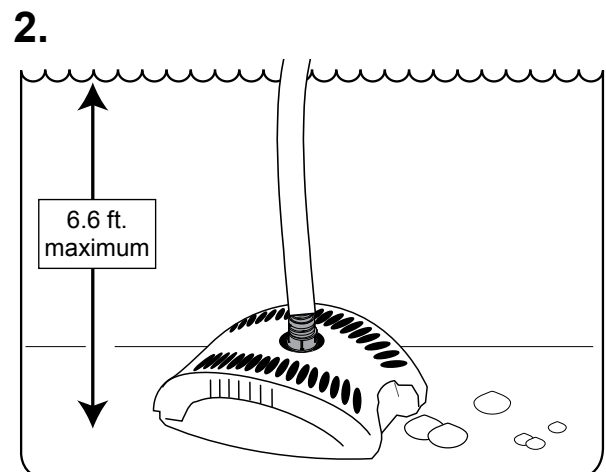
- For maximum water flow, it is recommended that the largest tubing size for your pump is used.

1. Attach the stepped hose adapter with O ring 12x4 to the filter kit first, then connect tubing to the adapter.  
NOTE: Tubing is NOT INCLUDED.



- Connect the tubing to desired water feature or spitter.

2. Place the unit in the pond as horizontal as possible on firm, sludge-free ground and ensure that it is completely covered with water at a maximum of 6.6 feet below the surface of the water.

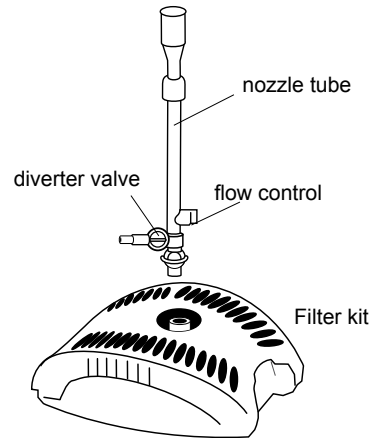


## Installation (cont.)

### For installation using the nozzle set

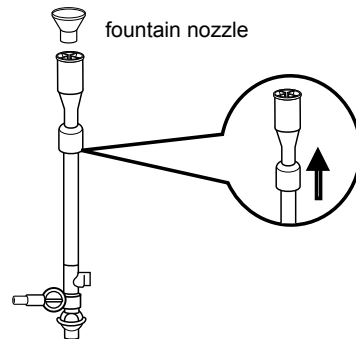
1. Attach the nozzle tube with diverter valve to the filter kit.

1.



2. Connect the desired fountain nozzle to the nozzle tube.  
o The nozzle tube is equipped with a telescopic function for individual height adjustment.

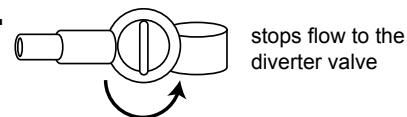
2.



### If NOT using the diverter valve

3. Turn the diverter valve flow control completely counterclockwise to a vertical position.

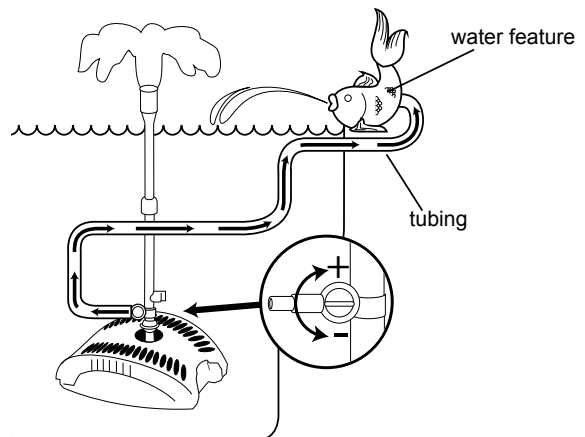
3.



### If using the diverter valve

3. Connect tubing to the diverter valve and then connect the tubing to the additional water feature.  
o Turn the diverter valve flow control to adjust the flow to the water feature.

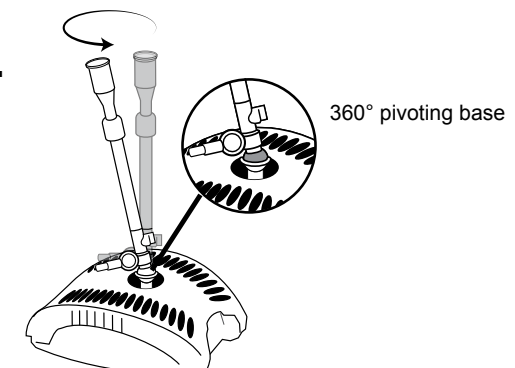
NOTE: Tubing is NOT INCLUDED.



4. Place the unit in the pond as horizontal as possible on firm, sludge-free ground and ensure that it is completely covered with water at a maximum of 6.6 feet below the surface of the water.

4.

o The nozzle tube with diverter valve is equipped with a 360° pivoting base. If the pond ground is uneven, tilt the nozzle tube to achieve a more vertical fountain display if a level surface cannot be achieved.



### Questions, problems, missing parts?

Before returning to your retailer, call us at 1-866-627-3435, 8 a.m.-6 p.m., EST, Monday-Friday, or email us at [customer care@oase-livingwater.com](mailto:customer care@oase-livingwater.com). Or visit our website at [www.oase-livingwater.com](http://www.oase-livingwater.com)

## Start-up

**⚠ Attention! The pump must never run dry.**  
**Possible consequences:** The pump will be destroyed.  
**Protective measures:** Check the water level at regular intervals. Always place the unit below water level.

**⚠ Attention!** The installed temperature sensor automatically turns the pump off, if it is overloaded. The pump automatically switches on again once the motor has cooled down. **Risk of accident!**  
Install the unit so that it is not exposed to direct sun radiation (max. 104 °F - 40 °C).

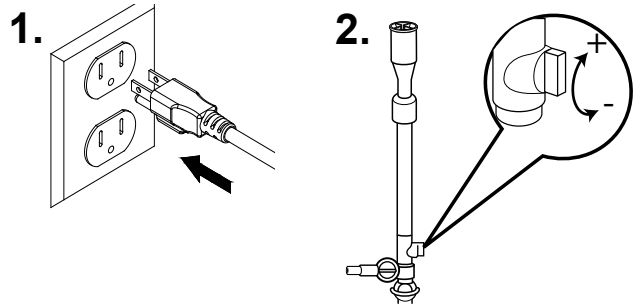
**⚠ Attention! Sensitive electrical components.**  
**Possible consequence:** The unit will be destroyed.  
**Protective measure:** Do not connect the unit to a dimmable power supply.

**⚡ WARNING**  
Risk of electric shock – This pump is supplied with a grounding conductor and grounding-type attachment plug. To reduce the risk of electric shock, be certain that it is connected only to a properly grounded, grounding-type receptacle.

### Important:

- The unit switches on automatically when power connection is established.

1. **Switching on:** Connect power plug to the socket.
2. Turn the flow control to adjust the flow to the fountain display.
3. **Switching off:** Disconnect the power plug.



## Maintenance and cleaning

**⚡ Attention! Dangerous electrical voltage.**  
**Possible consequences:** Death or serious injuries.  
**Protective measures:**

- Electrical units and installations with a rated voltage of  $U > 12 \text{ V AC}$  or  $U > 30 \text{ V DC}$  located in the water: Isolate the units and installations (switch off and disconnect from the power supply) before reaching into the water.
- Isolate the unit before starting any work.
- Secure the unit to prevent unintentional switching on.

**⚠ WARNING**  
This pump uses a very strong magnet to achieve superior performance. When removing the impeller assembly there will be considerable magnetic force resisting the extraction of the impeller assembly. This is normal. Likewise when replacing the impeller assembly there will be a strong magnetic force pulling the assembly into the pump to potentially cause injury to fingers and in rare cases damaging the ceramic shaft or rear bearing. Use thick gloves when replacing the impeller assembly.

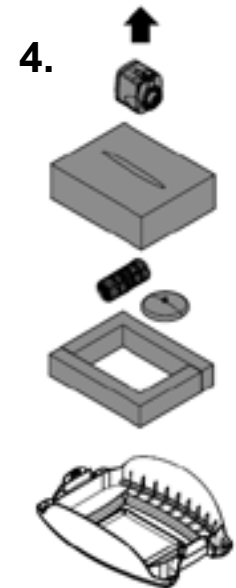
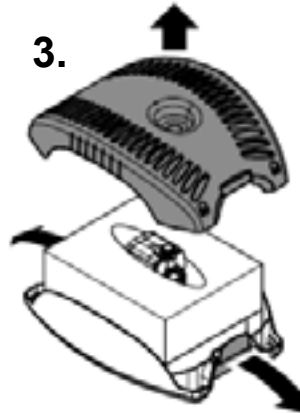
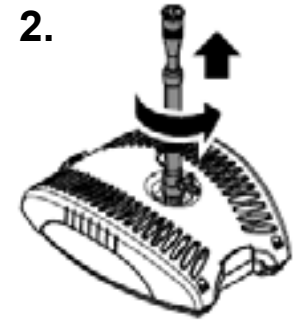
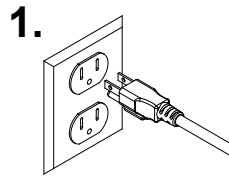
### Cleaning the unit

- Never use aggressive cleaning agents or chemical solutions. These could attack the housing surface or impair the function.
- Recommended cleaning agent for removing stubborn limescale deposits: Vinegar and chlorine-free household cleaning agent.
- After cleaning, thoroughly rinse all parts in clean water.
- Recommendation on regular cleaning. Clean the pump at least twice a year.

## Maintenance and cleaning (cont.)

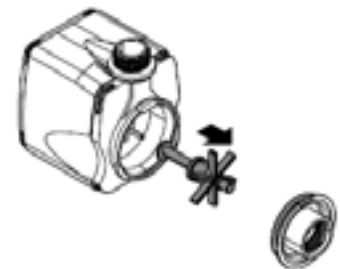
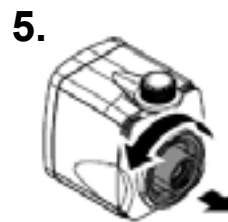
### Disassembling the unit

1. Disconnect the pump from the power source
  - Disconnect any tubing.
2. Unscrew the nozzle tube and diverter valve or stepped hose adapter from the filter kit.
3. Open the engagement hooks on both sides of the filter housing and remove the top strainer casing.
4. Remove the top filter foam, the pump, the filter foam, and the gravel bags and biomedica from the bottom strainer casing.



### Cleaning the pump, filter foam and biomedica

5. Unscrew the pump lid or the pump housing and remove the impeller.
6. Use a brush to clean the impeller and the inside of the pump housing.
7. Rinse the filter foam, gravel bags and biomedica under running water.
- Check parts for damages such as cracked rotor, cracks in the magnet, and broken plastics. Replace parts if necessary.
8. Reassemble in the reverse order.



### Questions, problems, missing parts?

Before returning to your retailer, call us at 1-866-627-3435, 8 a.m.-6 p.m., EST, Monday-Friday, or email us at [customer@oase-livingwater.com](mailto:customer@oase-livingwater.com). Or visit our website at [www.oase-livingwater.com](http://www.oase-livingwater.com)

## Storage/Winterization

- Put the unit out of operation at water temperatures below 46 °F (8 °C) or, at the latest, when freezing temperatures are to be expected.
- Thoroughly clean the unit, check for damage.
- Store immersed in water or filled with water. Do not immerse the power plug in water!
- Ensure that the storage place is inaccessible to children.

## Wear parts

The filter foam and impeller is a wear part and is excluded from the warranty.

## Disposal



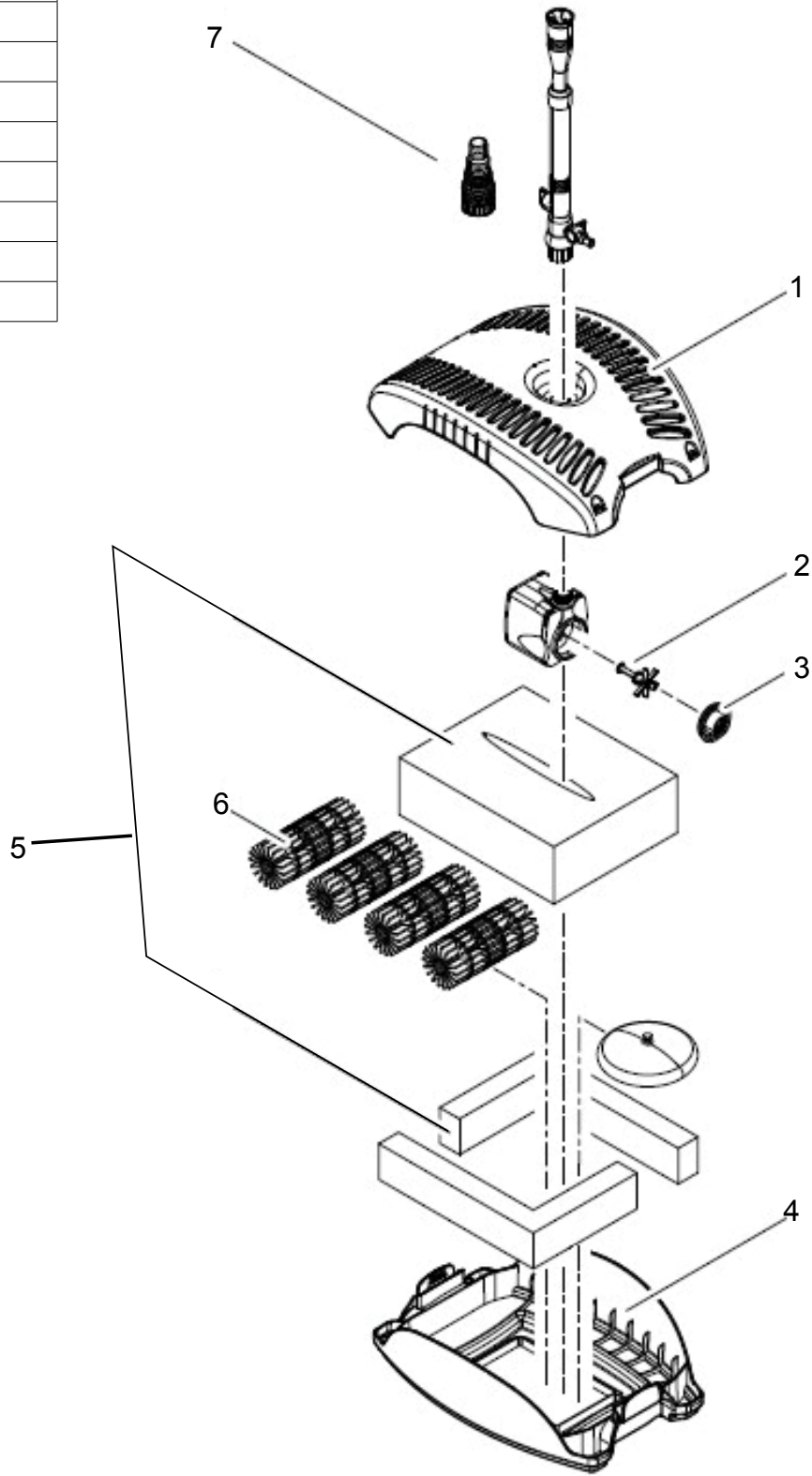
Do not dispose of this unit with domestic waste! Disable the unit beforehand by cutting off the cables. Further information about the recycling of this product can be obtained from your local municipal authority.

## Troubleshooting

Issue	Cause	Solution
The unit is not operating	Power supply not connected	Connect pump power supply
	Pump is not completely submerged	Completely submerge pump in the water
Insufficient flow	Filter housing clogged	Clean
	Tubing blocked	Clean or replace tubing
	Tubing kinked	Eliminate kink, replace tubing if it is damaged
	Excessive flow loss in the tubing due to friction	Reduce tubing length to reduce frictional loss
	Impeller blocked	Clean impeller
Unit switches off after a short running period	Pump running dry	<ul style="list-style-type: none"> <li>○ Check supply lines for blockages</li> <li>○ Vent tubing</li> <li>○ Check connections for leaks</li> </ul>
	Water temperature too high	Maximum water temperature: +95 F° (+35 °C)



Complete Filter Kit	
Pos.	1300
1	26438
2	10406
3	35770
4	27819
5	46973
6	19503
7	28224



**Oase:**  
LIVING WATER