



Planter Fountain Kit

MODEL # QDCFK

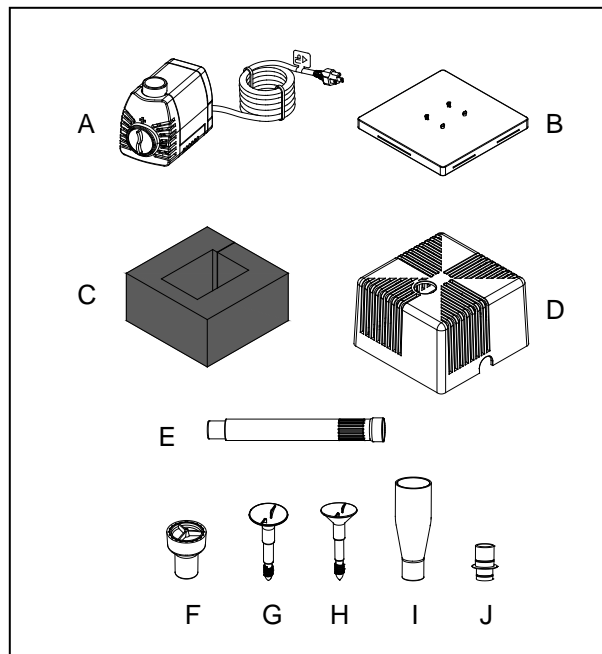
REMINDER
CALL 1-888-314-2588
BEFORE RETURNING TO STORE.



Questions, problems, missing parts? Before returning to your retailer, call our customer service department at 1-888-314-2588, 8 a.m.-6 p.m., EST, Monday-Friday. Or visit our website www.aquanique.com.

PACKAGE CONTENTS

Part	Description	Quantity
A	Pump	1
B	Base plate	1
C	Filter block	1
D	Filter cover	1
E	Extension tubes	1
F	Waterspray nozzle	1
G	Waterbell nozzle insert	1
H	Trumpet nozzle insert	1
I	Lower fountain head nozzle	1
J	Adapter (with o-ring)	1



WARNINGS AND CAUTIONS

WARNING

- Risk of electrical shock. This pump is supplied with a grounding conductor and grounding-type attachment plug. To reduce the risk of electric shock, be certain that it is connected only to a properly grounded, grounding-type receptacle.
- Do not exceed the voltage shown on the pump.
- Always disconnect pump from the power source before beginning any maintenance or work on the pump.
- Inspect cord for damage before installation and/or maintenance. Replace the entire pump assembly if damage is found.
- Do not remove the grounding pin from the power cord plug.
- To reduce the risk of electric shock, use only on portable, self-contained fountains no larger than 5 ft. in any dimension.
- Risk of electrical shock – This pump has not been investigated for use in swimming pools or marine areas.

CAUTION

- This pump has been evaluated for use with water only.
- Use a proper power source as indicated on the pump label.
- Keep the cord away from high temperatures or other heat sources.
- Do not pump heated liquids.
- Do not let the pump run dry. Pump must be completely submerged for proper operation and cooling.
- Operate in freshwater only. Avoid heavily chlorinated water and water with high pH levels.
- Do not lift the pump by its power cord.

PREPARATION

Before beginning assembly or operation of product, make sure all parts are present. Compare parts with package contents list and diagram above. If any part is missing or damaged, do not attempt to assemble, install or operate the product. Contact customer service for replacement parts.

- Estimated Assembly Time: 30 minutes
- Tools required for assembly: container, plastic liner or sealant, drill, 1-1/4" drill bit, silicone caulk, latex gloves.

OPERATION INSTRUCTIONS

1. Assemble the base plate, pump, filter block and filter cover. Fig. 1

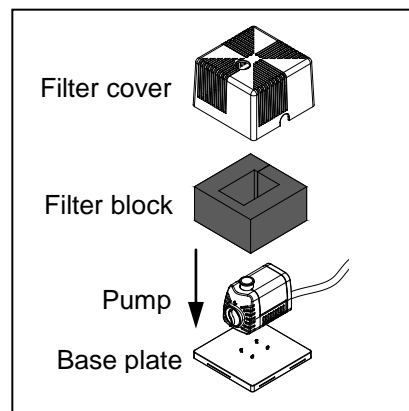


Fig. 1

2. Connect extension tubes to the pump using the supplied adapter. Fig. 2

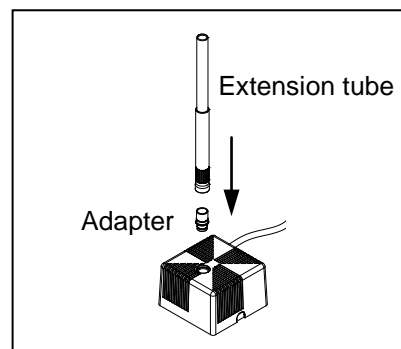


Fig. 2

3. Choose a fountain head for the desired water effect, and assemble your choice as shown in Fig. 3.

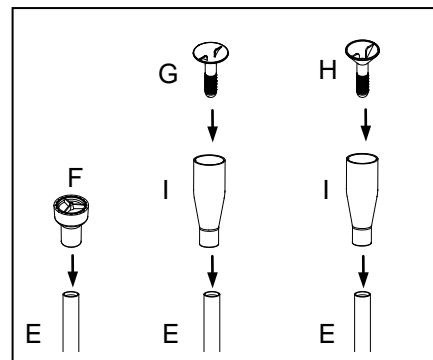


Fig. 3

4. Choose a container for your fountain kit. Fig. 4

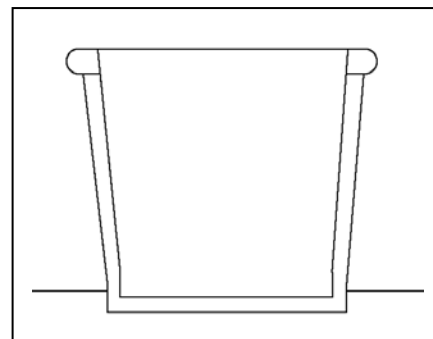


Fig. 4

5. If the container is not already watertight, use a plastic liner. Or if a clay pot is used, spray the inside of the pot with a clear acrylic sealant. Be sure to use a sealant that is safe for clay pots. Wait 24 hours for the sealant to dry before filling the container with water. Fig. 5

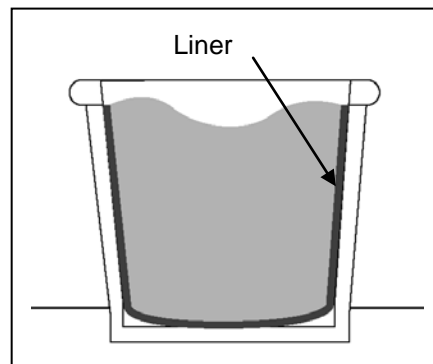


Fig. 5

6. Test fit the assembled container fountain kit in the container. For installing the fountain with the pump cord over the side of the container, (recommended) proceed to step 9. For having the pump cord come out through the container wall, proceed to the next step. Fig. 6

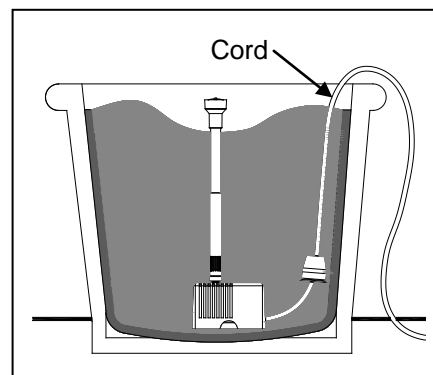


Fig. 6

7. Select a spot on the container wall that is the least visible from normal viewing for the cord exit. Create the hole, using a drill with appropriate bit capable of boring through the container material and large enough so the plug head can pass through. Fig. 7

Note: Appropriate safety equipment should be used.

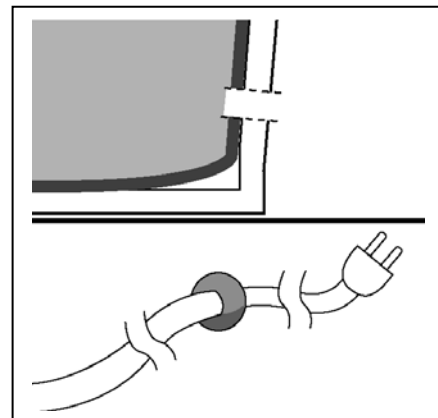


Fig. 7

8. Seal up the hole along with any other drainage holes in the container. Press plumber's putty into the hole and seal it with silicone caulk. Allow the sealant 24 hours to dry before filling the container with water. Fig. 8

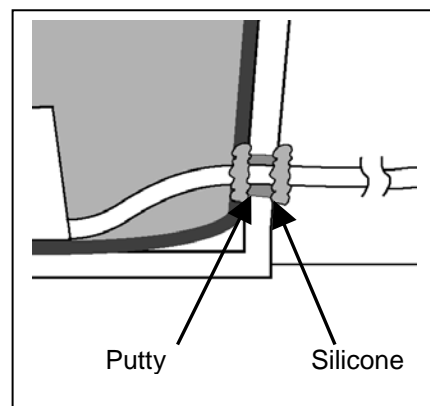


Fig. 8

9. Test fit the assembled container fountain kit in the container. Fill the container with water, 2/3 up to the top. Fig. 9

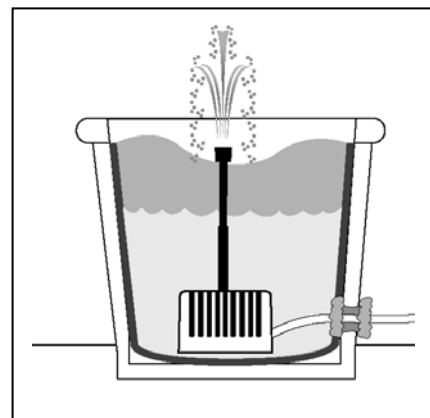


Fig. 9

10. Connect the pump to a proper power source. Fig. 10

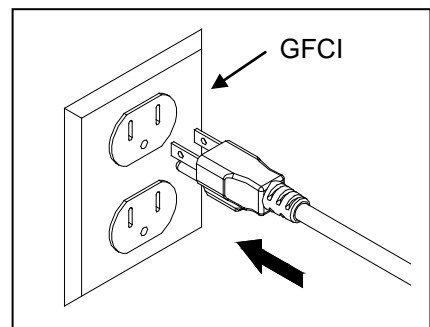


Fig. 10

CARE AND MAINTENANCE

- Regular cleaning of the pump may be necessary depending upon the environment in which it is operated. Clean the pump when it is visibly soiled or when a drop in performance is detected.
- Before cleaning, always disconnect the pump from the power source.
- Remove all parts from the pump and clean in warm, soapy water.
- Disassemble the front cover and remove the impeller cover to expose the impeller assembly. Use a soft cloth or brush to clean the impeller assembly and the inside of the impeller housing. Refer to the diagram in the replacement parts list.

TROUBLESHOOTING

If the pump fails to operate:

- Check to make sure the power cord is plugged in and the pump is getting power.
- Check the pump outlet and any tubing, fountains, spitters etc. for kinks or obstructions.
- Remove the inlet screen and/or front cover, and impeller cover to expose the impeller. Turn the impeller to ensure that it is not broken or jammed.

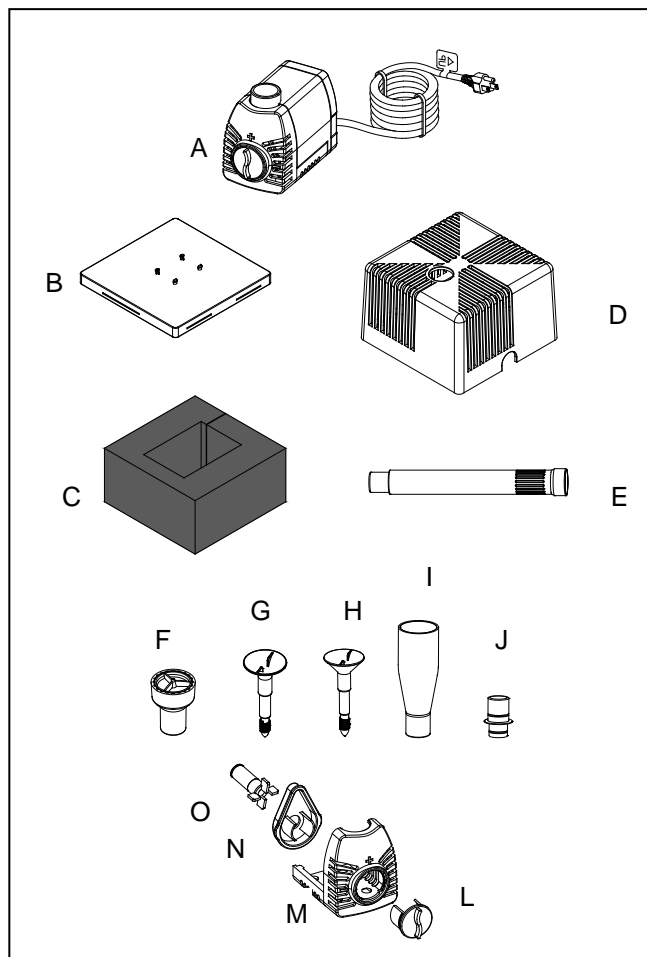
If the performance of the pump is not satisfactory or the pump does not flow evenly:

- Check to make sure the pump is completely submerged in water.
- Check to make sure the impeller and the impeller housing are clean.
- Adjust flow control.

REPLACEMENT PARTS LIST

For replacement parts, call our customer service department at 1-888-314-2588, 8 a.m.-6 p.m., EST, Monday-Friday.

Part	Description
A	Pump
B	Base plate
C	Filter block
D	Filter cover
E	Extension tubes
F	Waterspray nozzle
G	Waterbell nozzle insert
H	Trumpet nozzle insert
I	lower fountain head nozzle
J	Adapter (with o-ring)
K	Flow control knob
L	Front cover
M	Impeller cover
N	Impeller assembly



LIMITED WARRANTY

All pumps and electrical products are warranted to the user against defective material and workmanship, under normal working conditions. This warranty period begins on the date of purchase by the original purchaser.

All aquanique™ electrical products are warranted to the user against defective material and workmanship, under normal working conditions for 1 year from the date of purchase. All aquanique™ liners are warranted to the user against defective workmanship, under normal working conditions for 20 years from the date of purchase. All other aquanique™ product is warranted to the user against defective material and workmanship, under normal working conditions for 90 days.

Application

Warranty covers only properly installed and maintained units. Pump warranty is limited to applications pumping fresh water in a pond or fountain only. Other liquid applications or extreme temperature uses must be approved in writing by the manufacturer. Receipt and product date code are required for warranty claims.

Warranty Claim

Warranty claims must be made by calling customer service (at 1-888-314-2588). If the item is determined to be defective, you will be given authorization to return the defective part(s), freight pre-paid, along with proof of purchase.

Disposition

The manufacturer will make a good faith effort for prompt disposition regarding all warranty claims. Returned product will be inspected to determine cause of failure before warranty is applied. Warranty does not cover any costs associated with the shipping, handling, installation or removal of products or parts subject to this warranty. For products damaged in transit, a claim should be filed with the carrier.

Disclaimer

Any oral statements made about the product by the seller, the manufacturer, the representatives, or any other parties do not constitute warranties, should not be relied upon by the user, and are not part of the contract for sale. The seller's and manufacturer's only obligation, and buyer's only remedy shall be for the manufacturer to either replace and/or repair at the manufacturer's sole discretion, the product as described above. Neither seller nor the manufacturer shall be liable for injury, loss or damages for lost profits, lost sales, injury to person or property, or any other incidental or consequential loss arising from any cause whatsoever, no matter whether based upon warranty, contract, negligence or other misuse, and the buyer and user agree that no other remedy shall be available to them. Before using, the buyer and user shall determine the suitability of the product for the intended use, and assume all risk and liability whatsoever in connection therewith. The warranty and remedy described in this limited warranty is an exclusive warranty and remedy in lieu of any other warranty or remedy expressed or implied. All other warranties and remedies are hereby expressly excluded, including but not limited to any implied warranty of merchantability of fitness for any particular purpose. This warranty gives the buyer and user specific legal rights, and buyer and user may also have other rights which vary from state to state. Some states do not allow exclusions or limitations of incidental or consequential damages, so the above limitations or exclusions may not apply to you.

REMINDER
CALL 1-888-314-2588
BEFORE RETURNING TO STORE.