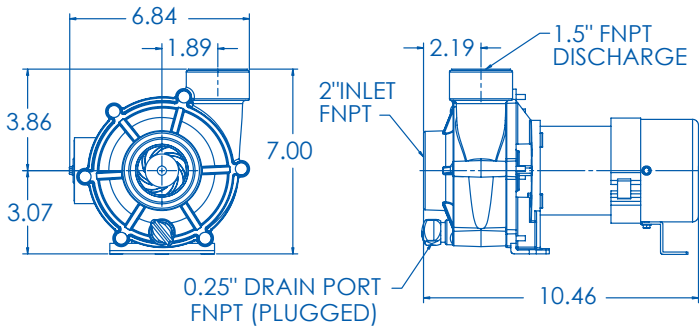
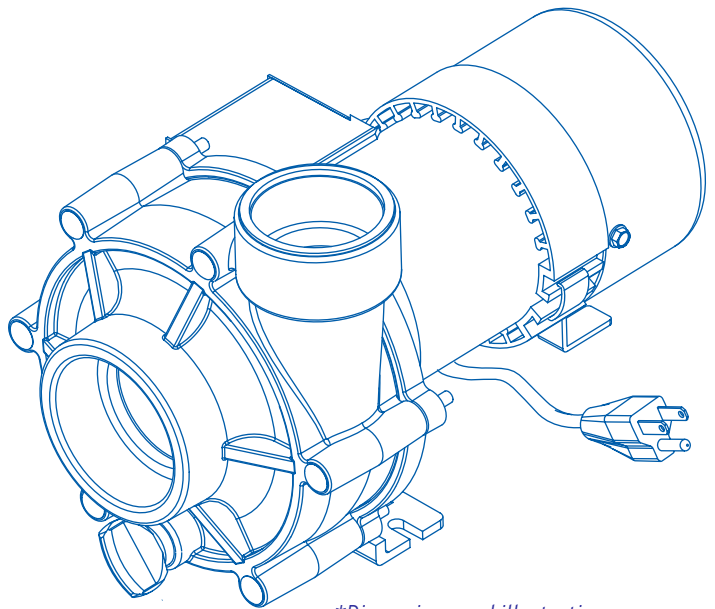
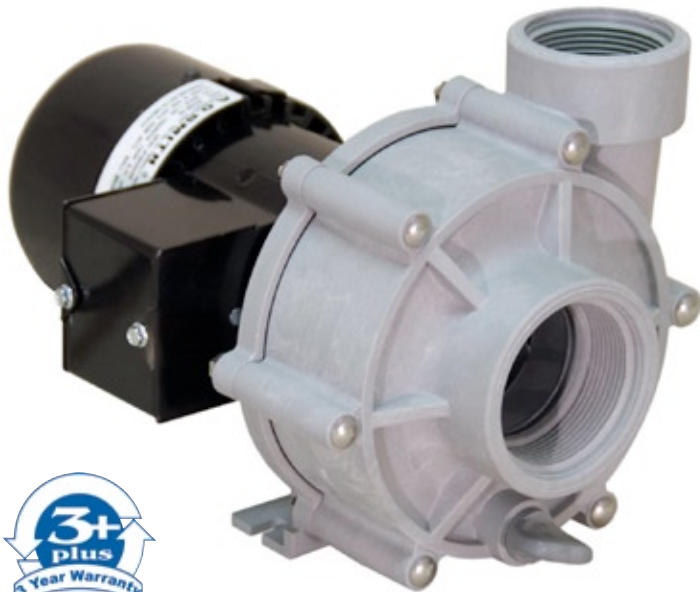


SEQUENCE[®] 750

750 Model 4200SEQ12

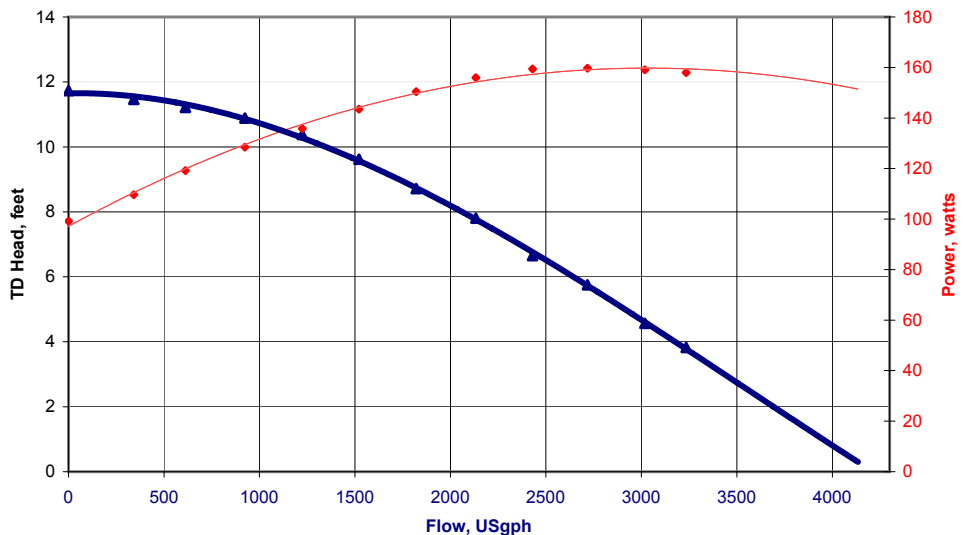
Our best seller! The compact 750 series delivers big flow for little power. Great for smaller and simple ponds (3,000 gallons or less). The motor is totally-enclosed fan-cooled for durability. 115V only. 3 year limited warranty. **Supplied with an 8 foot cordset.**



*Dimensions and illustrations are approximate and for reference only

Model 4200SEQ12	
List price	\$352.00
Inlet	2" FNPT
Discharge	1.5" FNPT
Max flow, GPH	4200
Max head, Ft	12'
Max Power, Watts	160
Max Current, Amps	1.56
115 Only @ Volts	115
Motor HP	1/8
Motor Type	3.3"
Motor Enclosure	TEFC
Impeller	9
Shipping Weight	13.00 LBS
Box Dimensions	13 5/8" x 9" x 8 7/8"

(Low-Speed)



Sustainable, Efficient.

©2008 SEQUENCE PUMPS A DIVISION OF MDM INC.